

Homework 5

1. (4.59, p170) Find the Thevenin equivalent with respect to the terminals a, b for the circuit in Fig. 1.

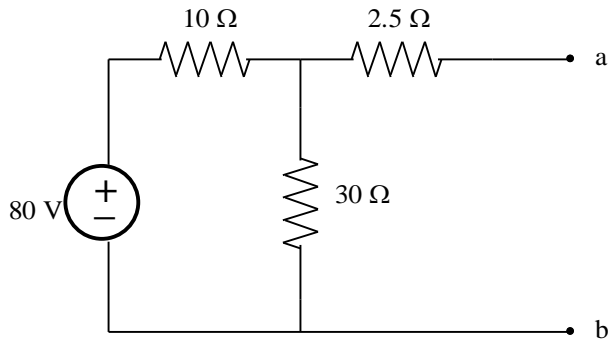


Fig. 1.

2. (4.60, p171) Find the Thevenin equivalent with respect to the terminals a, b for the circuit in Fig. 2.

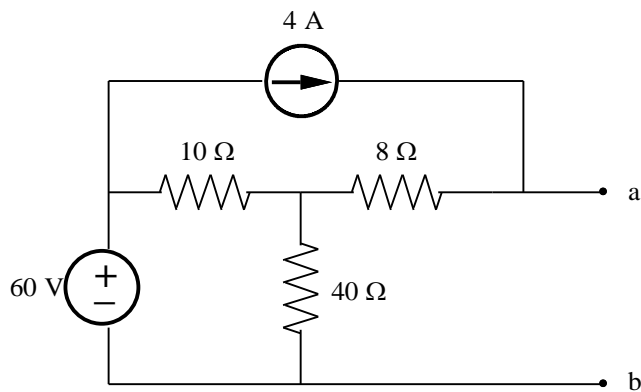


Fig. 2.